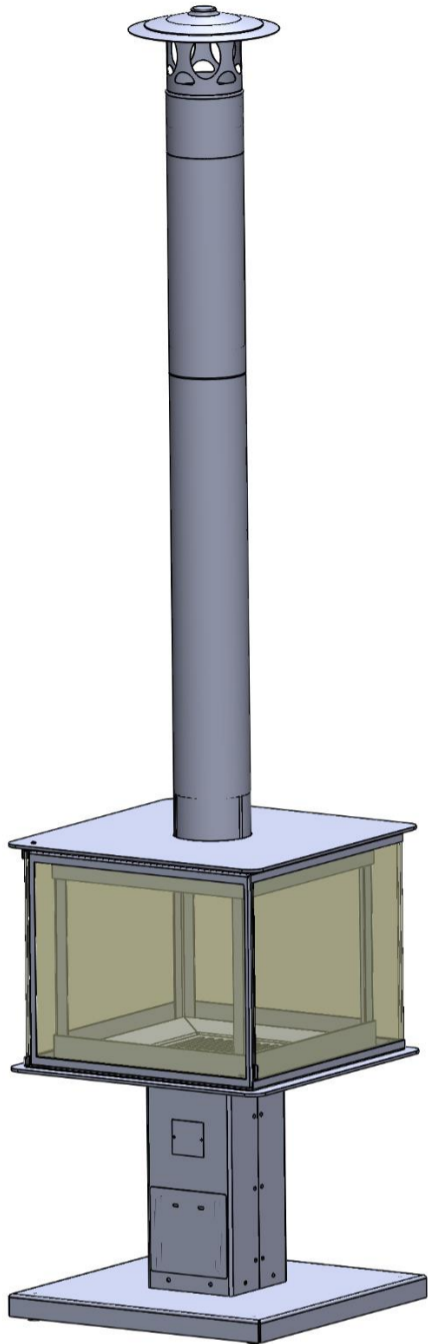


'Garden Cube' wood burning outdoor Fire



Users Instruction Manual



WARNING FOR YOUR SAFETY:

For Outdoor use, Only

- 1. Improper installation, assembly, alteration or maintenance can cause injury or property damage.**
- 2. Read the installation, assembly, operation and maintenance instructions thoroughly before assembly and use of this appliance.**
- 3. Failure to follow these instructions could result in fire or explosion, which could cause property damage, personal injury or death.**

Save these instructions for future reference. If you are assembling this appliance for someone else, give this manual to them to read and save for future reference.

Important Safeguards

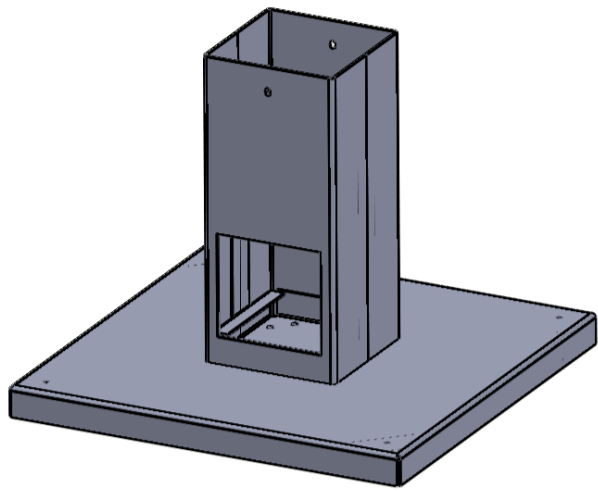
IMPORTANT - PLEASE READ BEFORE USING YOUR PRODUCT

1. The 'Garden Cube' is for OUTDOOR USE ONLY, and should NOT be used in a building, garage, or any other enclosed area.
2. Do NOT use the 'Garden Cube' for indoor heating. Toxic carbon monoxide fumes can accumulate and cause asphyxiation.
3. The 'Garden Cube' is NOT for commercial use.
4. The 'Garden Cube' outdoor fire is NOT to be operated by children.
5. The 'Garden Cube outdoor fire is NOT to be used in or on boats or other recreational vehicles.
6. When using the 'Garden Cube', exercise the same precautions you would with any open fire.
7. The use of alcohol, prescription or non-prescription drugs may impair the user's ability to correctly assemble or safely operate the 'Garden Cube' outdoor fire.
8. Do not use the 'Garden Cube' outdoor fire without reading the entire "Manual"
9. The 'Garden Cube' outdoor fire is for use with dry, seasoned hardwood. It will burn hotter, more completely and create less smoke.
10. Do NOT burn charcoal briquets, lump charcoal, driftwood, rubbish, leaves, paper, cardboard, plywood, painted or stained or pressure treated wood. Avoid using softwoods such as pine or cedar that can throw sparks out.
11. Do NOT alter the 'Garden Cube' outdoor fire in any manner.
12. Do NOT use the 'Garden Cube' outdoor fire until it is completely assembled.
13. Do NOT store or use any flammable liquids or vapours in the vicinity of the 'Garden Cube' outdoor fire.
14. Do NOT store or use an LP Gas cylinders within 10 feet (3.1M) of the 'Garden Cube' outdoor fire while it is in use.

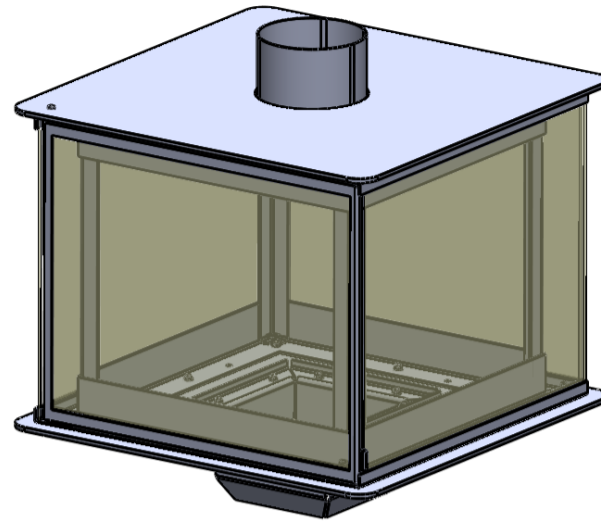


15. Do NOT use the 'Garden Cube' outdoor fire near any Motor vehicle or recreational vehicle.
16. Do NOT use in an explosive atmosphere. Keep 'Garden Cube' outdoor fire area clear from combustible materials.
17. Do NOT use the 'Garden Cube' outdoor fire under any overhead or near any unprotected combustible constructions avoid using near or under overhanging trees or shrubs.
18. Always use the 'Garden Cube' outdoor fire on a hard, level non-combustible surface, Asphalt may not be acceptable for this. Do NOT use on Wooden decking.
19. Do NOT wear flammable or loose clothing when using the 'Garden Cube' outdoor fire.
20. Do NOT use petrol, kerosene, diesel, lighter fluid or alcohol to light or relight fires.
21. Keep all electrical cords, cables away from a Hot 'Garden Cube' outdoor fire.
22. All Surfaces of the 'Garden Cube' outdoor fire are hot when in operation. To avoid burns, do NOT touch outdoor fire until it has completely cooled unless you are wearing protective gear (heat-resistant gloves, BBQ mittens etc.) Never touch ashes or logs to see if they are hot.
23. Do Not leave a lit 'Garden Cube' outdoor fire unattended, especially around children and pets
24. Do NOT attempt to move or store the 'Garden Cube' outdoor fire until all ashes and coals are completely extinguished.
25. Do Not remove ashes or logs until they are completely and fully extinguished.
26. Use heat-resistant gloves or tool when opening and closing door.
27. Use long, sturdy fire tongs when adding or removing logs.
28. Do NOT overload the 'Garden Cube' outdoor fire. Do NOT add additional logs until the fire burns down.
29. The 'Garden Cube' outdoor fire should be thoroughly inspected and cleaned on a regular basis.
30. Deaths, Serious injury or damage to property may occur if the above safeguard is not followed exactly.

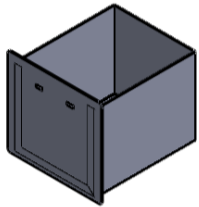
ASSEMBLY INSTRUCTIONS



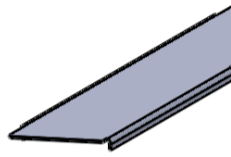
Base Section



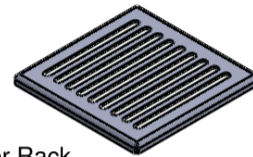
Fire Body



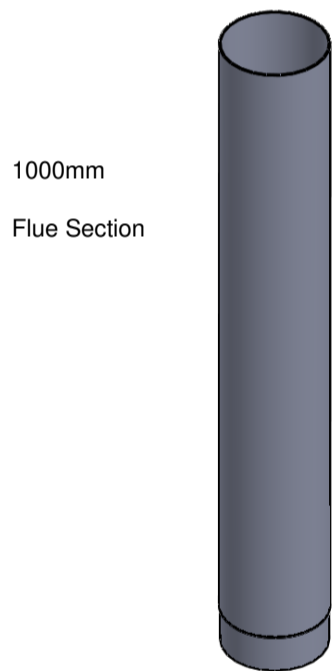
Ash pan



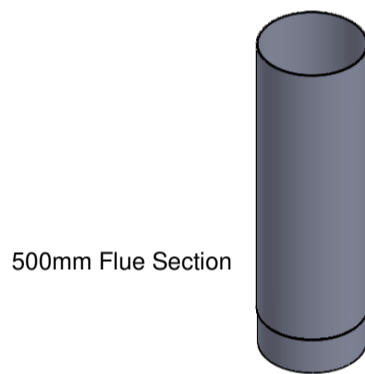
Burner Plate 4-off



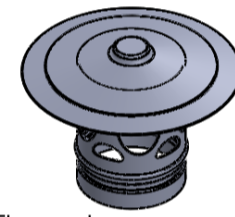
Burner Rack



1000mm
Flue Section



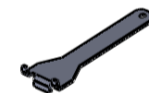
500mm Flue Section



Flue cowl



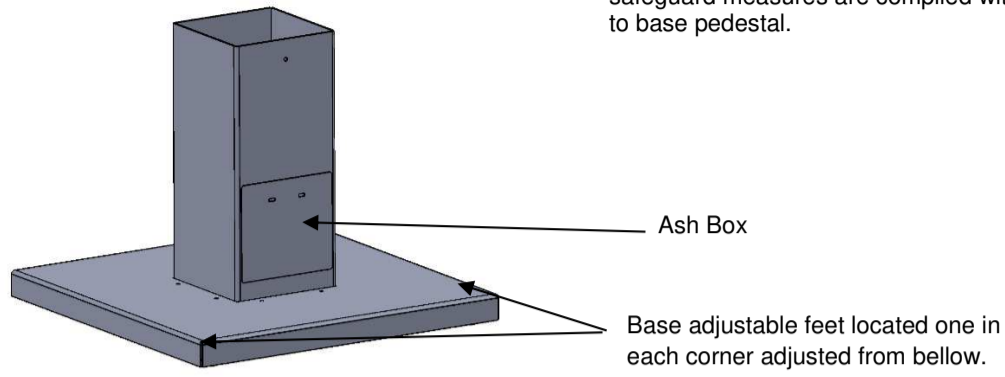
Flue Adaptor



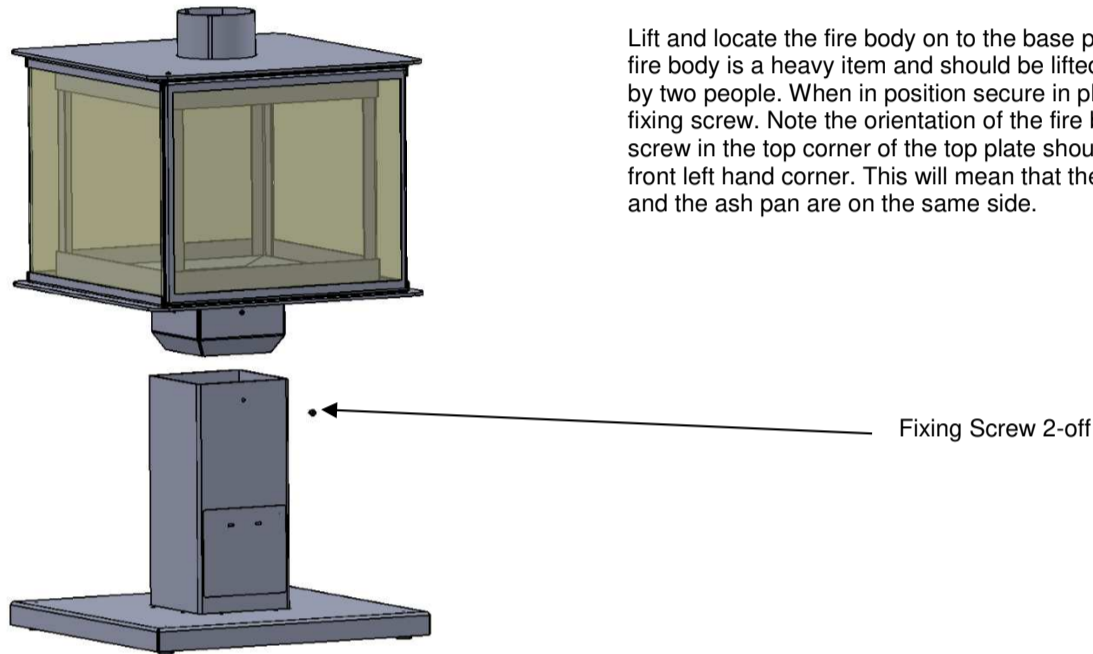
Door and Ash Pan Tool

Dimensions of the cube w x d x h (600mm x 600mm x 960mm) plus height of the flue and cowl. **NOTE: The only tool required for assembly is a cross head screw driver.**

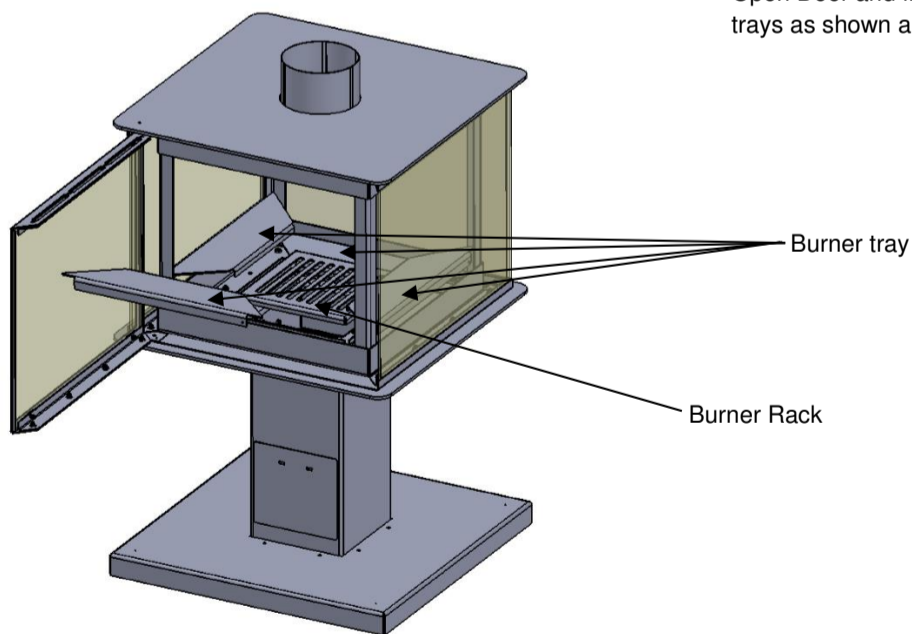
Place the Fire Base in preferred suitable location, and adjust the feet to level as necessary. Ensuring that all safeguard measures are complied with slide ash box in to base pedestal.

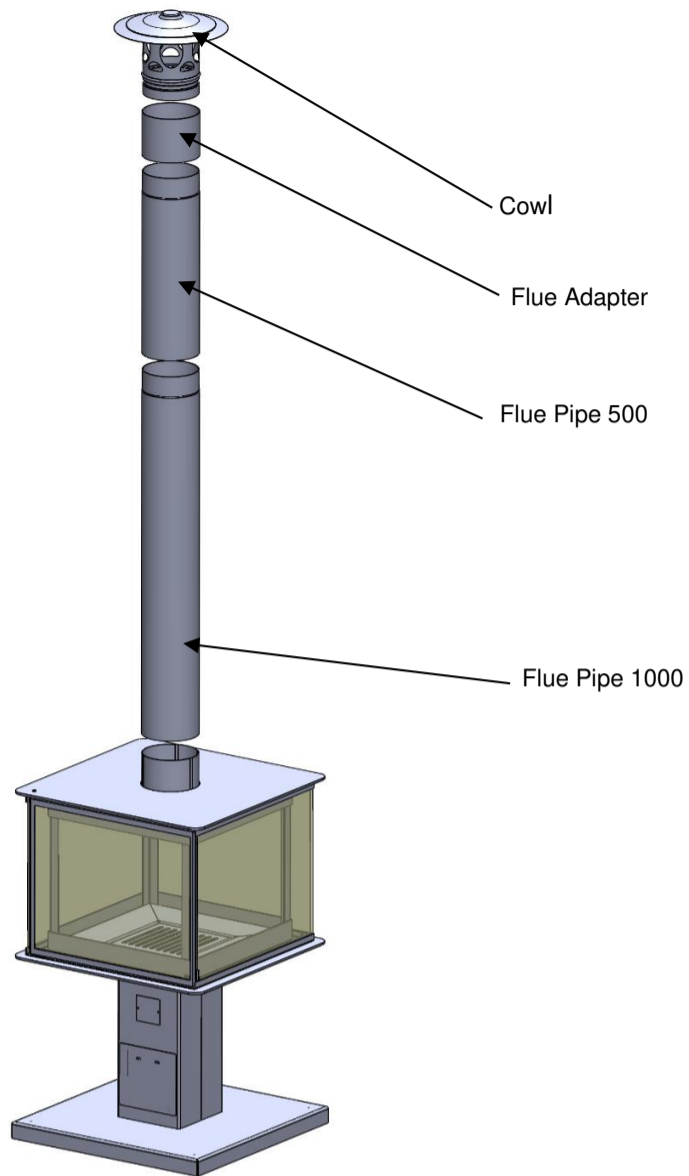


Lift and locate the fire body on to the base post. Note the fire body is a heavy item and should be lifted into position by two people. When in position secure in place with M6 fixing screw. Note the orientation of the fire body, the screw in the top corner of the top plate should be in the front left hand corner. This will mean that the fire door and the ash pan are on the same side.



Open Door and fit the four off burner trays as shown and the burner rack.





Fit Flue pipe sections and flue cowl as shown these are a push fit.

USER INSTRUCTIONS

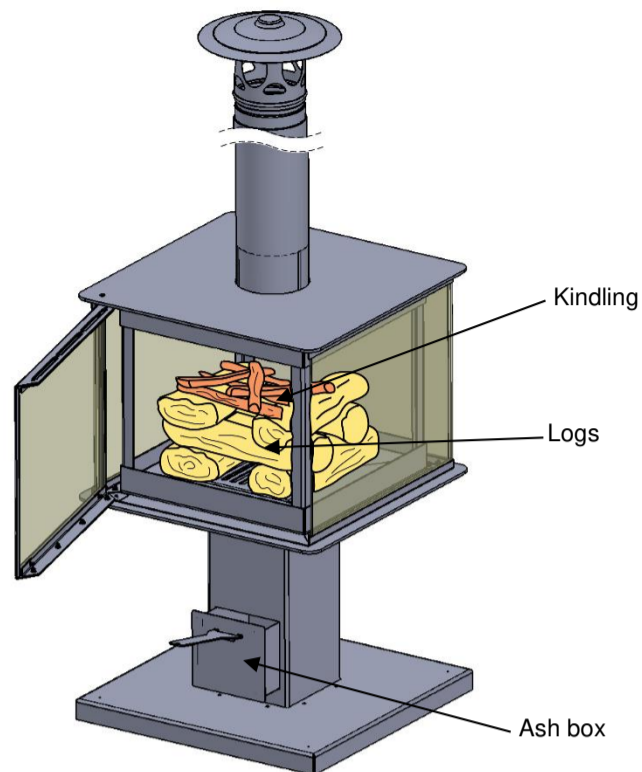


WARNING FOR YOUR SAFETY

Before using this Outdoor Fire, make sure you have read, understand and are following all information provided in the 'Important safeguards' in the front of this manual. Failure to follow those instructions can cause death, serious injury or property damage.

Lighting

1. Open Door
2. Stack logs as shown use logs that are no more than 350mm Long, do not stack the logs to high or over load the 'Garden Cube'.
3. Place kindling on top as shown.
4. Use a taper or long match to light kindling.
5. Close door once kindling is lit.
6. It will help with lighting if the ash box is opened slightly.
7. Close ash box immediately logs start to burn.



Tending

You may need to move or add logs for an ideal experience.

Reminders:

Always wear protective gloves or similar when tending fire.

Wait until glowing coals have developed before adding any additional logs.

Do NOT add petrol, diesel, lighter fuel or alcohol to relight or enhance an existing fire.

1. Carefully open Door with tool.
2. While using a long-handled fireplace tool, carefully move logs and coals as required, if any logs fall against the glass move the log as soon as possible as this will cause staining of the glass. See cleaning section on how to clean Glass.
3. If additional logs are required, place on top of coals, taking care not to move the coals too much.
4. Close door with tool or a heat proof glove.

Extinguishing

1. Allow fire to burn itself out.
2. Do NOT use water to extinguish as this is dangerous and may cause glass to shatter causing serious injury or damage to property and damage to the 'Garden Cube' outdoor fire.

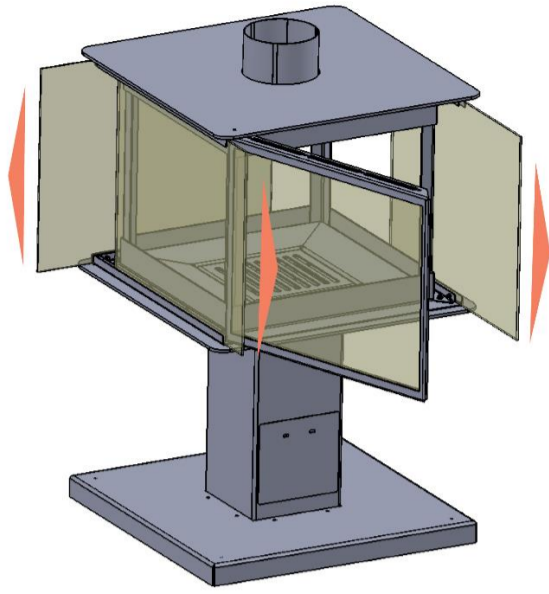
Cleaning

The 'Garden Cube' outdoor fire should be cleaned on a regular base to promote a safer experience and longer product life. NOTE: After repeated use, a slight discoloration of the finish may occur.

Do NOT attempt to clean the 'Garden Cube' until the fire is completely out.

Do NOT use oven cleaner or abrasive cleaners as they will damage this product.

1. Brush off any soot from inside of glass with a soft brush.
2. For stubborn stains on glass remove glass (see detail on glass removal) and clean with kitchen cream cleaner and rinse with clean water. Dry glass with a clean cloth.
3. Wipe exterior surfaces with a mild soap solution.



Glass Removal

To remove Glass open door and slacken glass retention screws, then slide glass panels out in directions shown. Door can be removed whilst holding the door in the closed position, remove the screw on top front left corner, once screw is removed tilt door forward to clear top panel and lift off. To replace reverse the procedure, ensure that the glass is kept square to the frame when sliding the glass in to avoid damage to the glass. Do not over tighten Glass retention screws as this may cause glass to break.

Storage

Do Not move or store the 'Garden Cube' until the fire is completely out.

1. Once the fire is out, coals and ash are cold and 'garden Cube' is cool to touch, open door and lift out burner rack, then brush all ash and coals into pedestal, replace burner rack and close door. Leave for a short period to allow ash to settle in ash pan. Then remove ashpan and dispose of ashes in a suitable manor, and re-fit ash pan.
2. Store 'Garden Cube' assembled in a suitable location away from children and pets.

Note: if you do not use a cover, store the 'Garden Cube' in a dry location to maximize product life.

GUARANTEE

CONDITIONS OF WARRANTY

If this appliance should prove to be defective due to faulty design, materials or workmanship within 12 months of purchase, the product will be repaired free, subject to the following conditions.

1. The 'Garden Cube' shall have been purchased and used solely within the UK for domestic purposes and in accordance with the Users Operating instructions.
2. It is the purchaser's responsibility to prove that the unit is under guarantee, e.g. receipt of purchase.
3. On discovery of a fault, the purchaser should contact the dealer from whom the product was purchased in order to ascertain whether they or a service centre will carry out the repair. If problems are encountered the purchaser may contact the service centre shown with this product. All transportation will be at the purchaser's expense and risk.
4. All guarantees will be invalidated if unauthorised repairs or modifications are made to the 'Garden Cube', or in case of accident, misuse, or damage caused by improper installation, or to damage occurring during transit to or from the repairer and altered or missing serial numbers.
5. Any parts, which have been replaced under this guarantee, shall become our property.
6. The company shall not be liable for any consequential loss or damage whatsoever, arising from or in connection with this 'Garden Cube'.
8. 'No fault found', service calls and installation errors are not covered under the Manufacturers guarantee and will result in a charge being made for the call out by our appointed service engineer.
9. This guarantee is in addition to and does not affect the purchaser's statutory rights of Consumers.
10. The company will arrange call-out requests within a mutually agreed time frame. If the companies appointed engineer cannot gain access or receives no answer, a call-out charge will be incurred.
11. The company reserve the right to alter, change and amend or cancel any aspect of these terms & conditions in whole or part without prior notice.

Legendfires[®]

Unit 404
Glenfield Park Business Centre
Blakewater Road
Blackburn
Lancashire
BB1 5QH
Tel: 01254 695244
Fax: 01254 695255
Web: www.legend-fires.com
Email: info@legend-fires.com

Legendfires[®]